

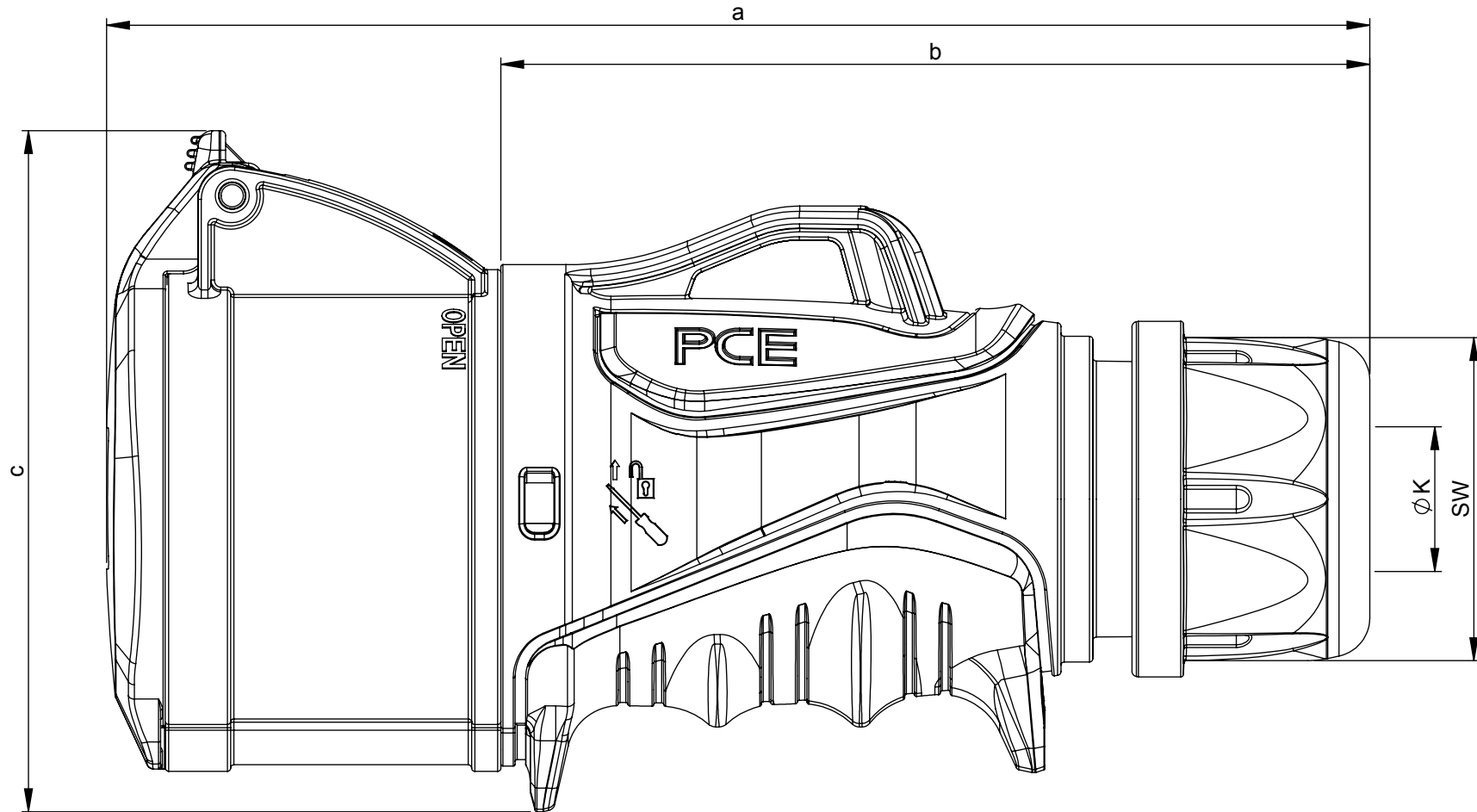
Maßskizze / dimensional drawing

Benennung: Kupplung IP44/54 GRIP

description: Connector IP44/54 GRIP

Teilenummer / part number: 2153, 2153TT, 2253, 2253TT

PCE



Ampere	16	32
Pole	5	5
a [mm]	168	194
b [mm]	117	134
c [mm]	93	105
K [mm]	8-16	11,5-22
SW [mm]	42	50